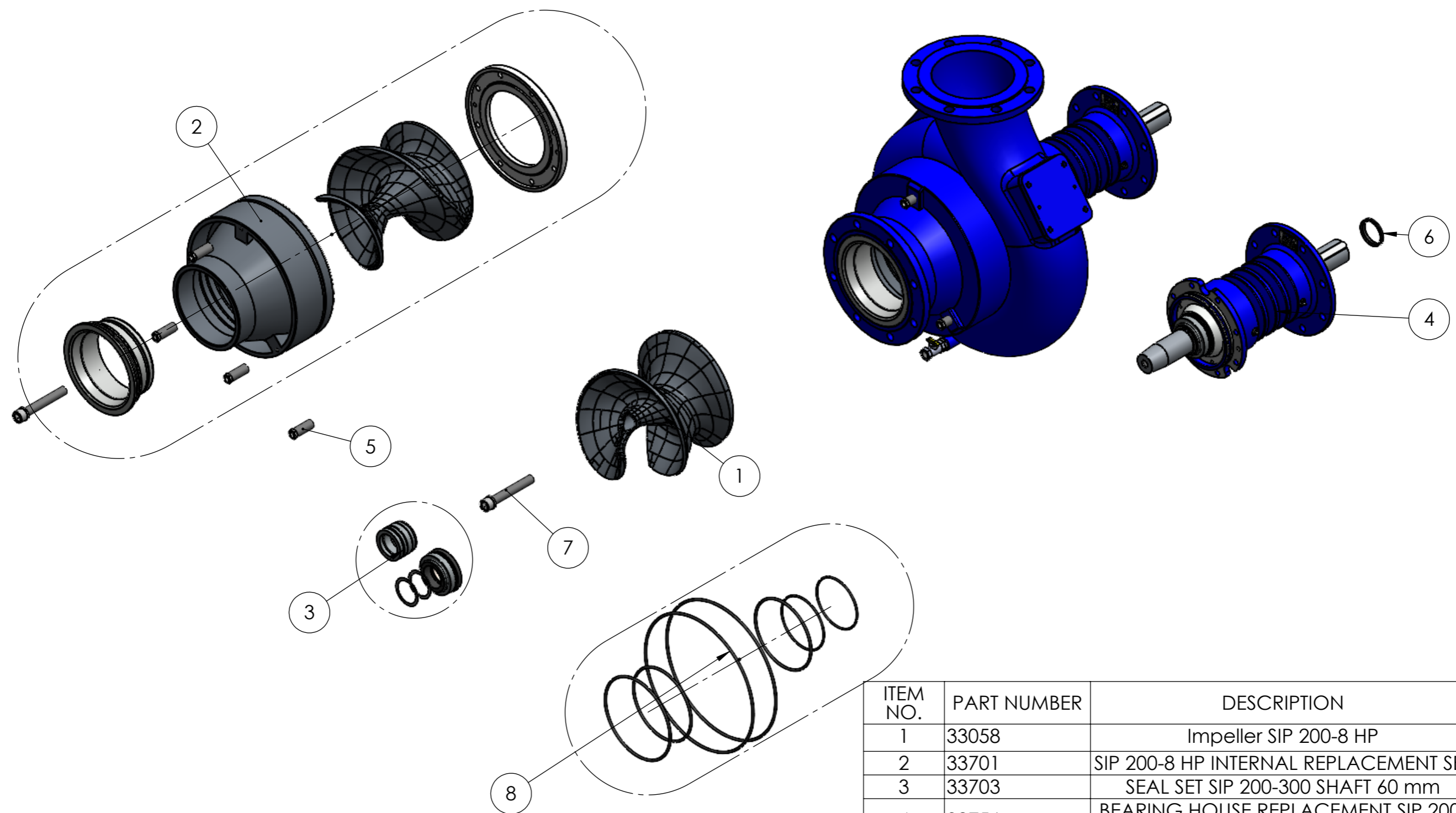


All rights strictly reserved. Reproduction or issue to third parties in any form whatever is not permitted without written authority from the proprietor. Property of Impulse Holding B.V. Copyright Impulse Pumps B.V.



ITEM NO.	PART NUMBER	DESCRIPTION	QTY.
1	33058	Impeller SIP 200-8 HP	1
2	33701	SIP 200-8 HP INTERNAL REPLACEMENT SET	1
3	33703	SEAL SET SIP 200-300 SHAFT 60 mm	1
4	32756	BEARING HOUSE REPLACEMENT SIP 200-300 (+BACKSEAL)	1
5	30818	Adjustment Screw Pump House SIP-200	1
6	30812	V-ring NBR V-60 A	1
7	35172	IMPELLER BOLT M20 x 140 mm WITH WASHER (SIP 200/300)	1
8	35187	O-RING SET SIP 200-8 HP	1

Revision information				UNSPECIFIED GEOMETRICAL, LINEAR AND ANGULAR TOLERANCE SHALL CONFORM TO ISO 2768-MK (UNLESS OTHERWISE STATED)			format	scale	projection	
Rev	Date	Drn	Appr	Info	A3	1:10				
A	22-01-2025	JG	JG	-	Drawn: JG			web: www.impulsebv.com		
-	21-01-2025		JG	-	Date: 21-01-2025			Material:		
					Rev.: A			Weight: Material <not specified> Kg		
					State: Approved			Treatm.: Assemble		

PDM No. : 35095 **Title: SIP 200-8 HP PUMP EXPLODED VIEW**