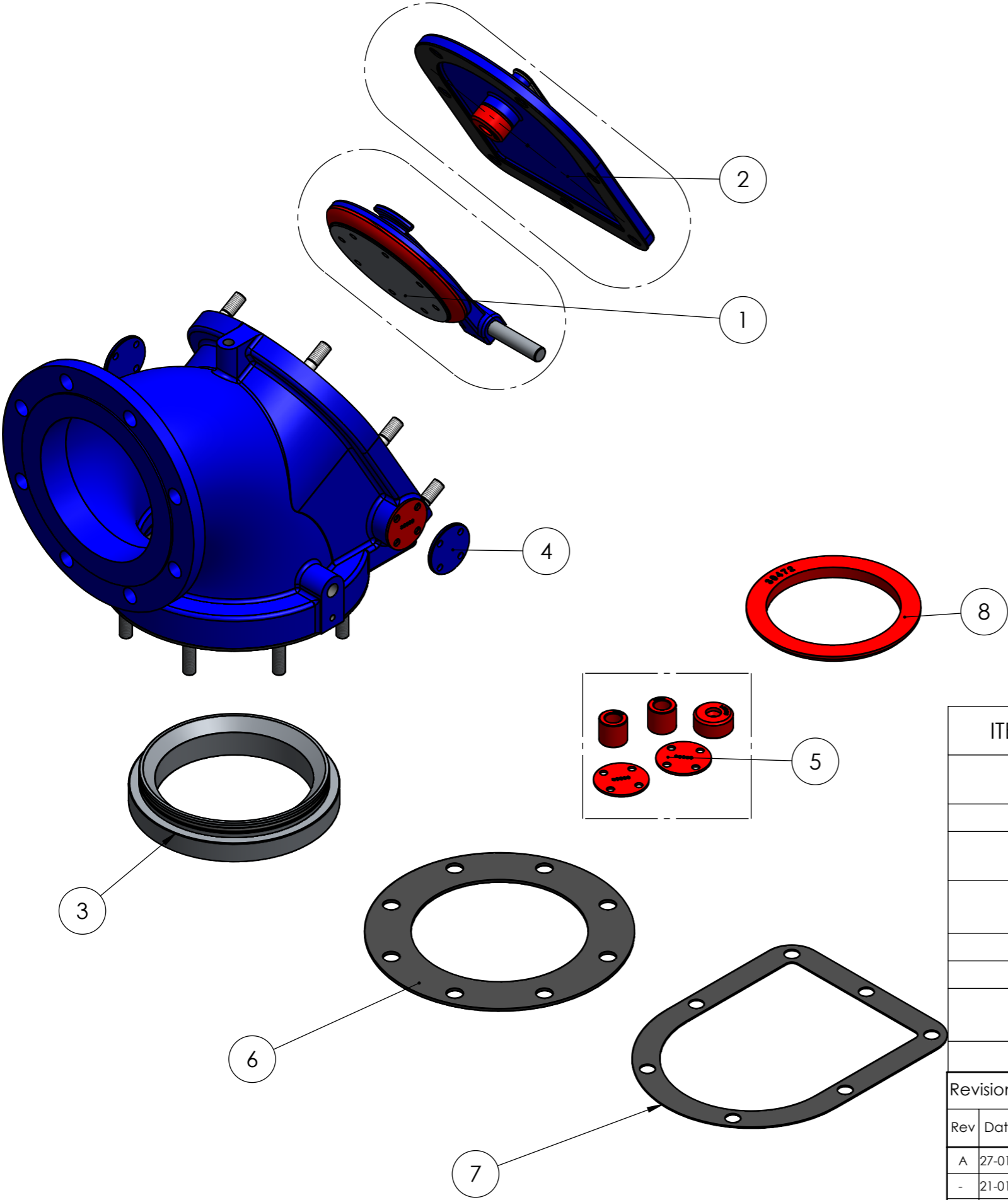


NRV 200-8 SPAREPARTS



ITEM NO.	PART NUMBER	DESCRIPTION
1	30470	FLAP VALVE PLATE 200-8 INCH COMPLETE
2	33689	COVER FLAP 200-8 inch
3	33691	NRV 200-8 FLAP VALVE SEAT WITH O-RING
4	30828	Bearing Cover Flap Valve 200-8 inch
5	33692	SEAL SET (PU) NRV 200-8
6	30466	Gasket DN200 8 inch
7	30833	Gasket Cover Flap Valve 200-8 inch
8	30472	Flap Valve PU-Seal 200-8 inch

Revision information					UNSPECIFIED GEOMETRICAL, LINEAR AND ANGULAR TOLERANCE SHALL CONFORM TO ISO 2768-MK (UNLESS OTHERWISE STATED)	format	scale	projection	
Rev	Date	Drn	Appr	Info	A3	1:6			
A	27-01-2025	JG	JG	-	Drawn: JG		web: www.impulsebv.com		
-	21-01-2025		JG	-	Date: 21-01-2025		Material:		
					Rev.: A		Weight: 77.09 Kg		
					State: Approved		Treatm.: Assemble		

PDM No. : 35102 Title: FLAP VALVE 200-8 INCH EXPLODED VIEW

All rights strictly reserved. Reproduction or issue to third parties in any form whatever is not permitted without written authority from the proprietor. Property of Impulse Holding B.V. Copyright Impulse Pumps B.V.