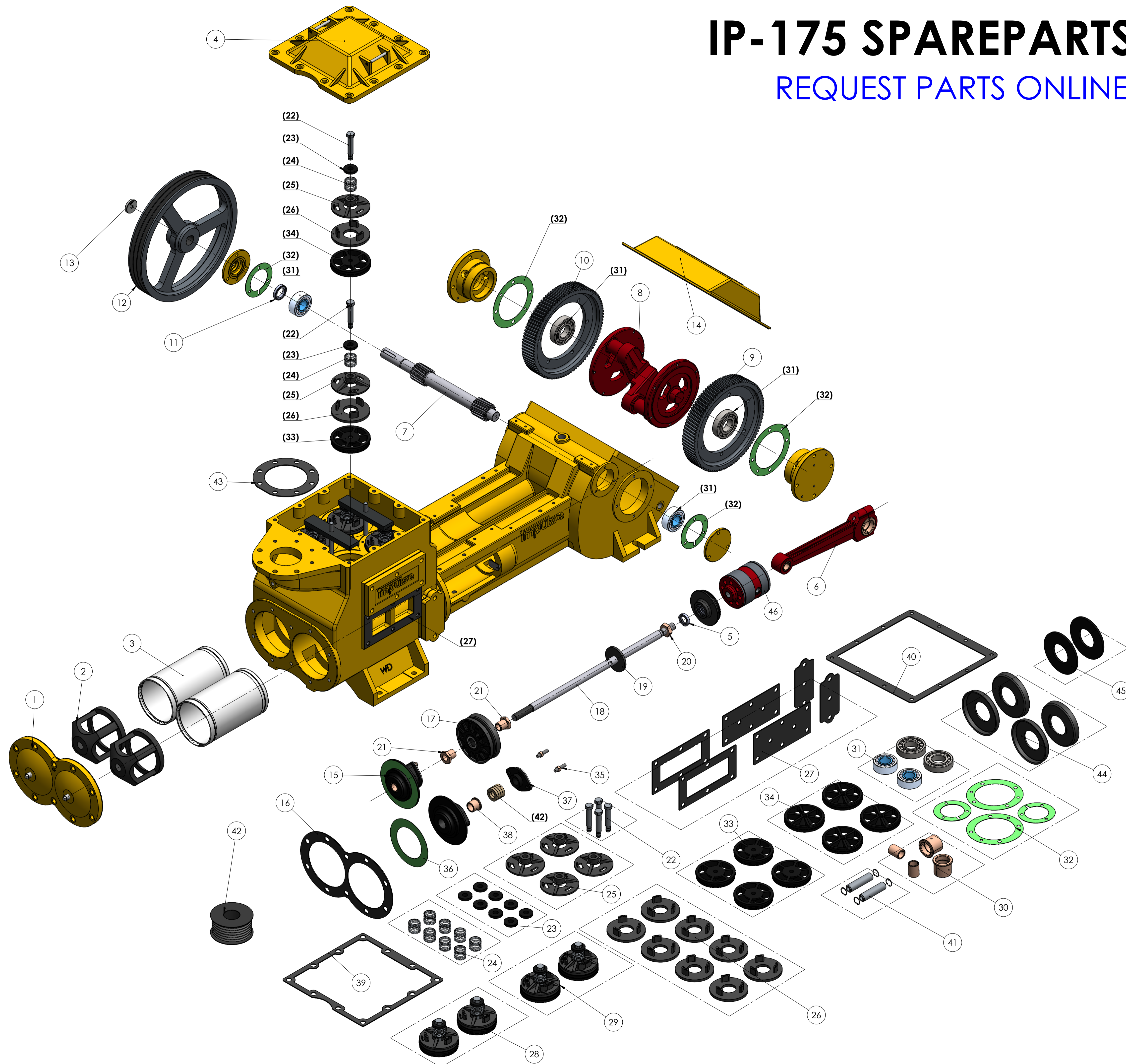


IP-175 SPAREPARTS

REQUEST PARTS ONLINE



ITEM NO.	PART NUMBER	DESCRIPTION
1	33710	CYLINDER COVER IP-175
2	32840	DISTANCE PIECE IP-175 / IP-PRO
3	33712	CYLINDER LINER IP-175 WITH O-RINGS
4	20309	ASSY PUMP COVER IP
5	20349	Wiper Seal 30 mm
6	20352	CONNECTING ROD IP COMPLETE
7	20318	Pinoin Shaft Standard
8	20320	Crank Shaft IP 175
9	20342	Toothed Wheel A
10	20359	Toothed Wheel B
11	20344	Oil Seal 40 x 60 x 10
12	20322	V-Belt Pulley SPB OD 505 mm - ID 40 mm
13	20328	Pulley Protection Plate
14	33730	GEARBOX COVER IP-175 WITH GASKET
15	32638	GLAND PACKING HOUSE COMPLETE BA-U FIBRE GASKET
16	20299	Gasket Cylinder Cover IP
17	34838	PISTON COLLAR REPLACEMENT SET IP-175
18	20335	Piston Rod M27 x M27
19	20339	Drip Catcher Ring
20	20336	Cross Head Lock Nut
21	20331	Piston Lock Nut M27 x 3
22	33715	VALVE STAM GUIDE SCREW SET IP-175 (4x)
23	33716	VALVE SPRING WASHER SET
24	33717	VALVE SPRING SET
25	33718	VALVE WEIGHT SET IP-175 (4x)
26	33719	VALVE RUBBER SET IP-175 (8x)
27	33722	GASKET SEAL SET IP-175
28	33723	SUCTION VALVE SET (2x) IP-175
29	33724	DISCHARGE VALVE SET (2x) IP-175
30	33727	CONNECTING ROD BEARING SET IP-175
31	33728	ROLLER BEARING SET IP-175
32	33729	GEARBOX GASKET SET IP-175
33	34833	SUCTION VALVE SEAT SET (4x)
34	34839	DISCHARGE VALVE SET IP-175 (4x)
35	35200	GLAND PACKING FLANGE STUD BOLT & NUT
36	32637	Gasket Gland Packing House 1mm
37	20276	GLAND PACKING FLANGE COMPLETE GFN
38	20274	Piston Rod Guide Bush
39	20302	Gasket IP Pump Body Cover
40	20347	Gasket Gearbox Cover
41	34840	CROSS HEAD PIN SET IP-175 (2x)
42	34529	Gland Packing Roll 1 kg 10 x 10 mm
43	20283	Gasket Discharge IP 175/160
44	35198	PISTON COLLAR SET (4x) IP-175
45	35199	PISTON INTERMEDIATE DISK SET (2x) IP-175
46	20329	CROSS HEAD IP-175 COMPLETE
47	20348	DUST CAP COMPLETE IP-175

Revision information					format	scale	projection	impulse		
Rev	Date	Drn	Appr	Info	A1	1:7	1st	Dewatering Technologies		
F	23-01-2025	JG	JG	-	Drawn	JG	-	Title: IP 175 PUMP EXPLODED VIEW WEBSITE		
E	23-01-2025	JG	JG	-	Date	:18-10-2024	No.	: 34836	Rev.	F
D	22-01-2025	JG	JG	-	Weight	:871.04 Kg	Material	:		
C	22-01-2025	JG	JG	-	State	:Approved	Treatm.	:	Assemble	

UNSPECIFIED GEOMETRICAL TOLERANCES SHALL CONFORM TO ISO 2768-MK (UNLESS OTHERWISE STATED)

IP 175 PUMP EXPLODED VIEW WEBSITE

All rights reserved. Reproduction or use in any form without written permission from the proprietor. Property of Impulse Pumps B.V. Copyright Impulse Pumps B.V.