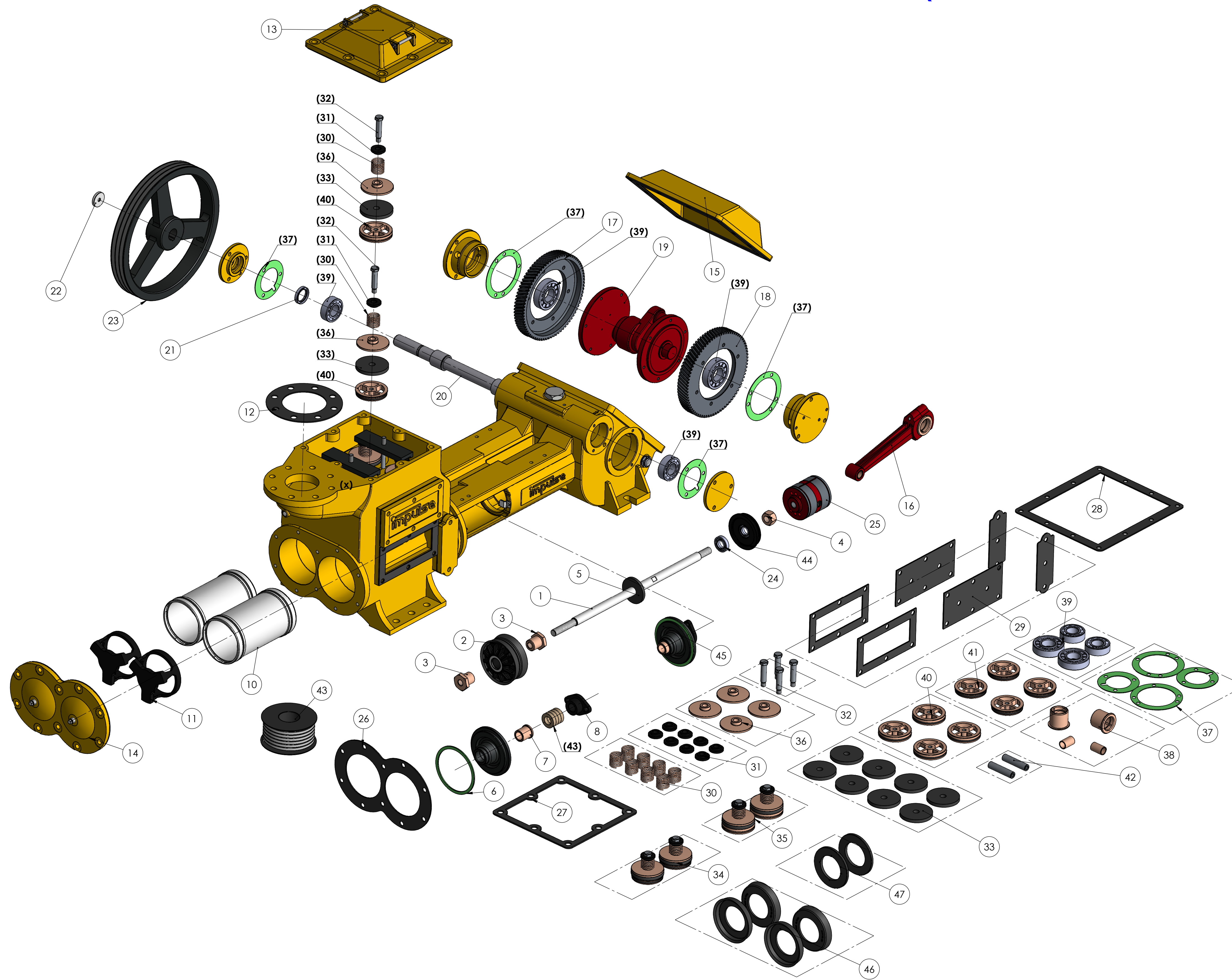


IP-130 SPAREPARTS

REQUEST PARTS ONLINE



ITEM NO.	PART NUMBER	DESCRIPTION
1	31853	Piston Rod M20 x M20
2	34877	PISTON COLLAR REPLACEMENT SET IP-130
3	31862	Piston Lock Nut M20
4	31857	Cross Head Lock Nut IP-130
5	31859	Drip Catcher Ring IP-130
6	31888	Gasket 3 mm Gland Packing House
7	31887	Piston Rod Guide Bush IP-130
8	31886	Gland Packing Flange IP-130
9	31885	Glan Packing House IP-130
10	34395	CYLINDER LINER IP-130 WITH O-RINGS
11	31823	Distance Piece IP-130
12	31832	Gasket Discharge IP-130
13	34403	Pump Body Cover Complete IP-130
14	34870	CYLINDER COVER IP-130 WITH GASKET
15	34872	GEARBOX COVER IP-130 WITH GASKET
16	31849	CONNECTING ROD IP-130 COMPLETE
17	31870	Toothed Wheel B
18	31869	Toothed Wheel A
19	31868	Crank Shaft IP-130
20	31872	Pinoin Shaft Standard IP-130
21	31881	Oil Seal 52 x 35 x 10
22	31883	Pulley Protection Plate IP-130
23	31877	V-Belt Pulley SPA OD= 410 mm - ID= 35 mm
24	31865	Wiper Seal 25 mm
25	34881	CROSS HEAD IP-130
26	31830	Gasket Cylinder Cover IP-130
27	31831	Gasket IP-130 Pump Body Cover
28	31844	Gasket Gearbox Cover IP-130
29	33783	GASKET SEAL SET IP-130
30	33786	VALVE SPRING SET IP-130
31	33787	VALVE SPRING WASHER SET IP-130 (8x)
32	33789	VALVE STAM GUIDE SCREW SET IP-130 (4x)
33	33790	VALVE RUBBER SET IP-130 (8x)
34	33791	SUCTION VALVE SET IP-130 (2x)
35	33792	DISCHARGE VALVE SET IP-130 (2x)
36	33793	VALVE WEIGHT SET IP-130 (4x)
37	33794	GEARBOX GASKET SET IP-130
38	33796	CONNECTING ROD BEARING SET IP-130
39	33797	ROLLER BEARING SET IP-130
40	34883	DISCHARGE VALVE SET IP-130 (4x)
41	34886	SUCTION VALVE SEAT SET IP-130 (4x)
42	34887	CROSS HEAD PIN SET IP-130 (2x)
43	34529	Gland Packing Roll 1 kg 10 x 10 mm
44	31863	DUST CAP MOUNTED IP-130
45	31785	GLAND PACKING HOUSE COMPLETE IP-130
46	35202	PISTON COLLAR RUBBER SET IP-130 (4x)
47	35203	PISTON INTERMEDIATE DISK SET IP-130 (2x)

Revision information					format	scale	projection	 <small>Deswatering Technologies</small>
Rev	Date	Drn	Appr	Info	A1	1:6	1st angle	
B	23-01-2025	JG	JG	-	Drawn : JG			Title: IP130 PUMP EXPLODED VIEW
A	23-01-2025	JG	JG	-	Date : 29-10-2024			No. : 34867 Rev. B
-	21-01-2025	JG	-	-	Weight: 361.08 Kg			Material : -
					State : Approved			Treatm. : No Treatment

UNSPECIFIED GEOMETRICAL TOLERANCES SHALL CONFORM TO ISO 2768-MK (UNLESS OTHERWISE STATED)

Title: IP130 PUMP EXPLODED VIEW

All rights are reserved. Reproduction or use of this part in any form without the written permission of the manufacturer is prohibited. Property of Impulse Pumping B.V. Copyright Impulse Pumping B.V.