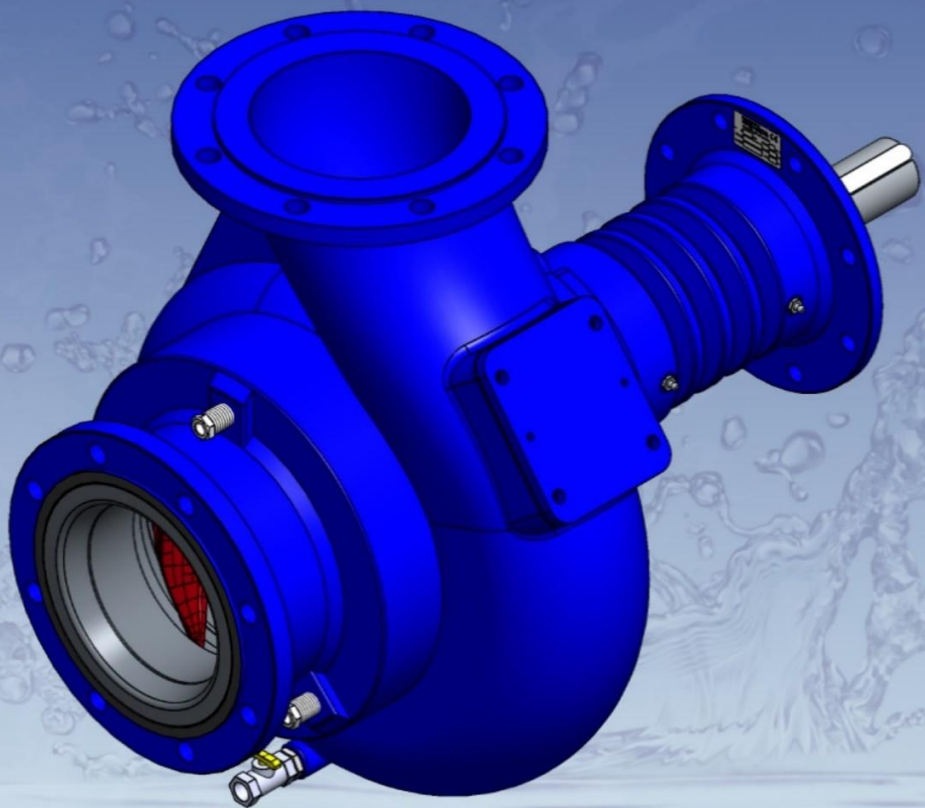




# SIP SERIES

SCREW IMPELLER PUMPS  
ELECTRIC










# INTRODUCTION – SIP SERIES



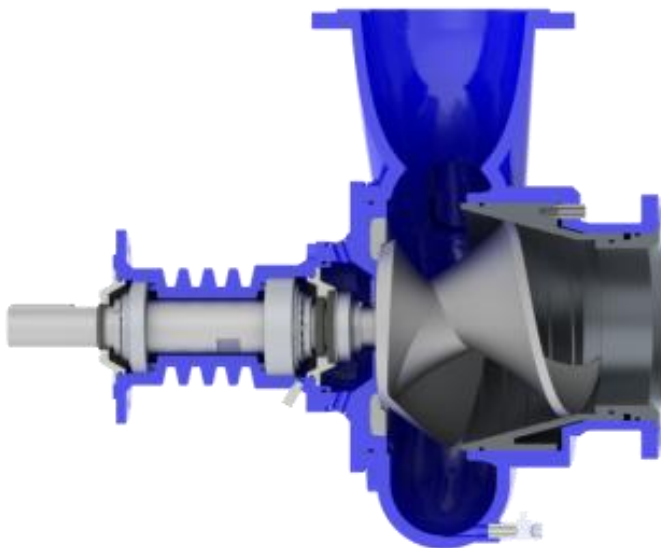
Elevate your Fluid Management by starting to unlock the Power of our SIP-Series Pumps!

Here, you can discover the ultimate solution for a multitude of fluid management challenges, successfully addressed using Impulse's SIP-Series Pumps.

Designed to redefine versatility and reliability, these pumps excel in diverse applications, including:

-  Sewer By-Passing: Continuous operation, zero disruptions.
-  Over-pumping: Swift water removal, damage prevention.
-  Open Dewatering: Efficient excavation support.
-  Fluid Transfer: Reliable in every task.
-  Surface Drainage: Maintaining safe, dry surfaces.
-  Unrivaled Performance: Built tough for any condition.
-  Intelligent Design: Auto priming, seamless operation.

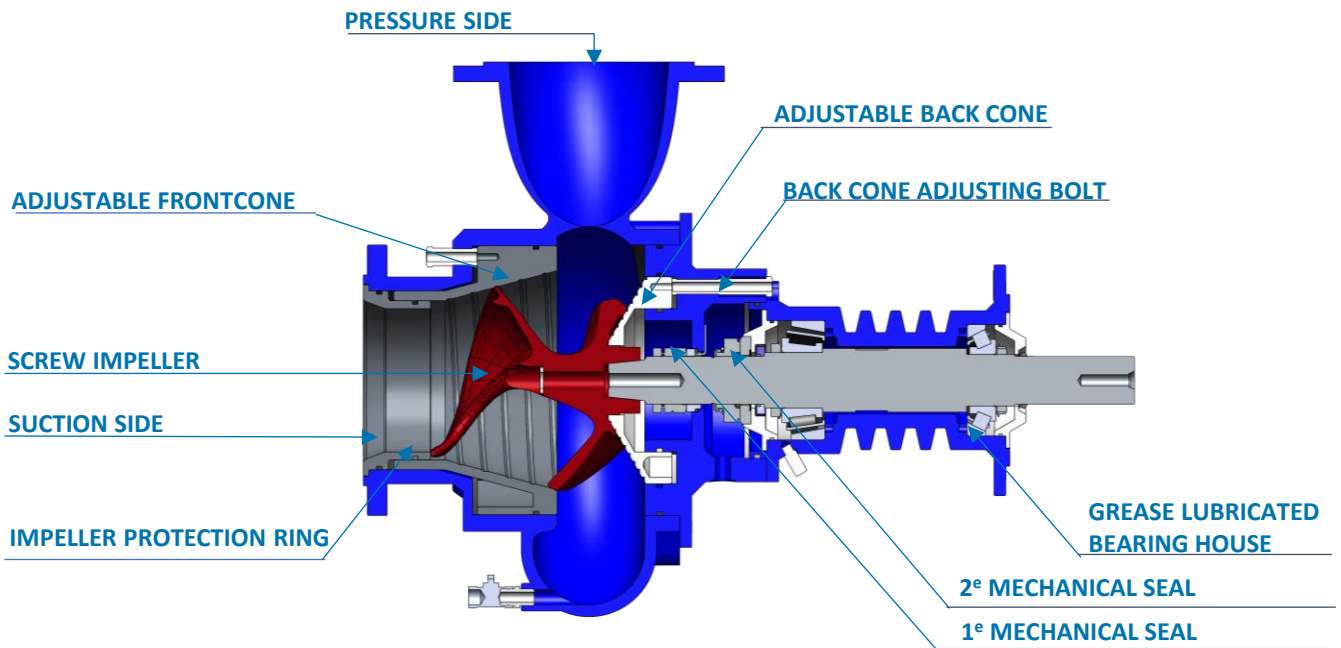
Upgrade any fluid management challenge with the possibilities the SIP-Series Pumps give. Elevate your operation processes to new undiscovered heights together with Impulse!



- Robust
- Easy to maintain
- Efficient

*Impossible to live without water*

# SIP– Heavy-Duty Pumps

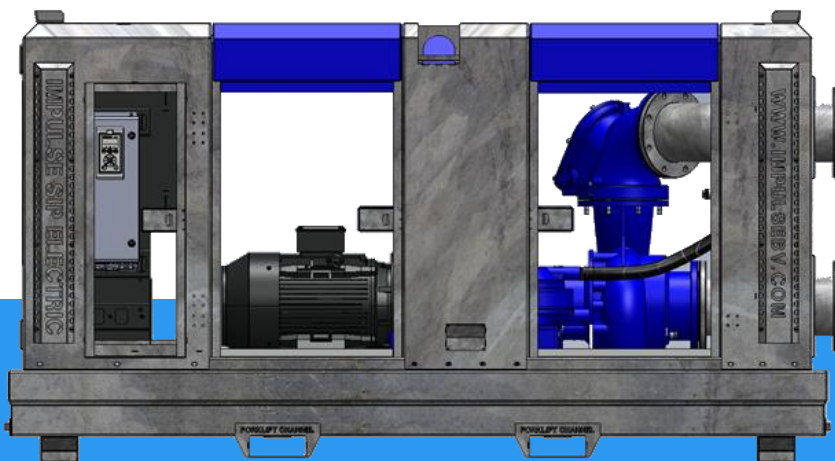


## APPLICATIONS

The SIP-series Screw Impeller Pumps are the “do it all” pumps and have become very popular in all kinds of wet-construction works. It was just this set-up that has become the “middle-man” between the very big market of hi-energy consuming centrifugal pumps compared with the very specialized market of super-efficient low-fuel consuming piston pumps. Our 4-inch SIP 100-4 *electric-driven* pump set was the first model specially developed to be able to run successfully and efficiently on well-point dewatering without losing its flow while pumping a mixture of water and air.

Designed and desired to excel in a wide range of works, our complete range of SIP-series centrifugal pumps is further extended with the designs of all models also in electric-driven configurations.

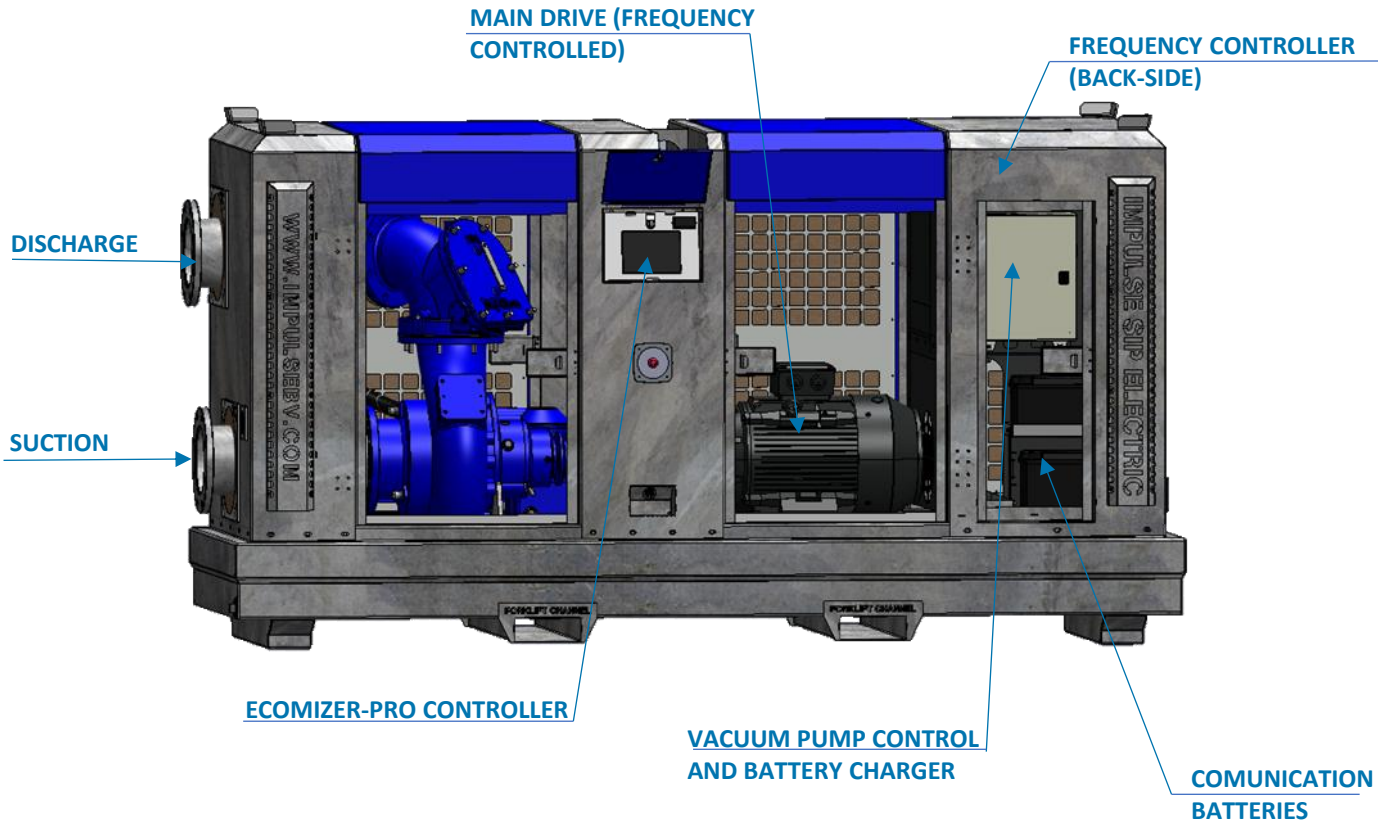
– Impressive solid handling capabilities make them ideal for wastewater, sewerage, mud, over-pumping and so many more applications you even can't imagine.



- Robust
- Easy to maintain
- Efficient

*Impossible to live without water*

# E-SIP – Electric Driven Pumps



## Description of E-SIP Series:

Introducing the SIP-Series Screw Impeller Pumps – your versatile solution for a wide range of wet-construction projects. These pumps have garnered immense popularity due to their adaptability in diverse applications. Just as we've previously delivered already unknown feasible flexibility in our diesel-driven configurations, our customers' growing demand for electrification pushed us to innovate further to even more undiscovered heights.

In urban construction zones, where environmental concerns led to the abandonment of diesel engines, clients sought alternative solutions. Impulse took the initiative to comprehensively understand and address our customers' needs. Leveraging the expertise acquired through our diesel-driven SIP-Series, we had the ideal foundation to develop our requested and needed groundbreaking E-SIP series.

The transformation from diesel to electric power was seamless. A frequency controller ensures precise revolution adjustments, while the **Ecomizer-Pro** controller's communication shifted from Canbus to Modbus language. The E-SIP Series simplified the control interface, consolidating all functions into a single "on/off" switch to "fire up" the Ecomizer-Pro controller. Experience the epitome of simplicity, again brought by Impulse's with the advanced E-SIP Series of pumps where performance meets efficiency.

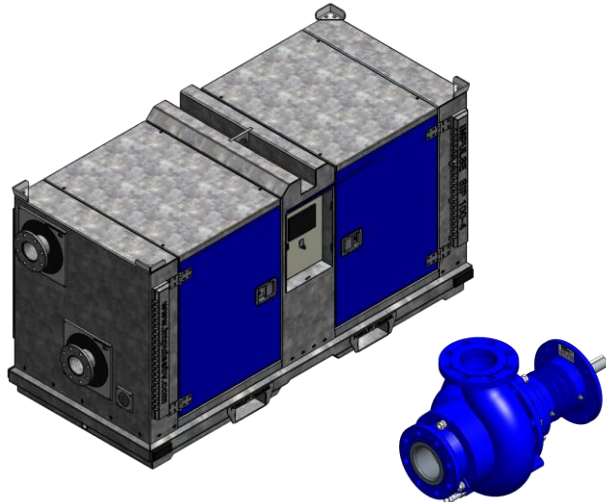
- Robust
- Easy to maintain
- Efficient

*Impossible to live without water*

# SIP 100-4 7.5 kW – Specifications



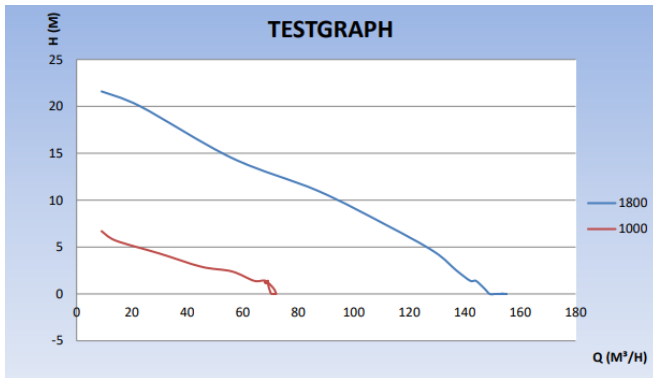
The SIP 100-4 Screw Impeller Pump is commonly used for all kinds of pumping works. This 4-inch model has been developed to be used 'also' for vertical well-point and drain dewatering. Especially in those areas where users are facing lots of groundwater, this is the only centrifugal pump that's able to compete with the efficiency brought by our piston pumps.



## Pump specifications:

Type.....	SIP 100-4 Electric
Solid passage.....	75 mm. (3 inch)
Max. capacity.....	145 m3/h (.. gal/min)
Max. head.....	25 m (.. ft)
Max. vacuum.....	9.8 m (32 ft)
Engine.....	7.5 kW IE3 3-Phase (Electric)
Canopy.....	Standard Size Canopy
Suction/Discharge.....	4 Inch
Weight.....	1130 kg

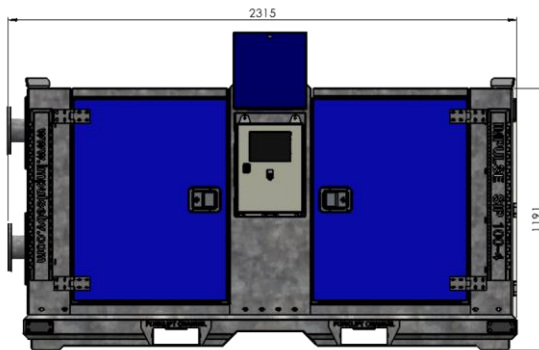
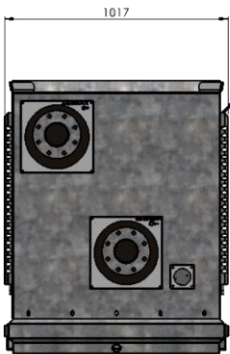
## Pump curve



## Controller



ECOMIZER-PRO is the world's first digital controller designed for mobile (rental)pumps only. It's extremely easy to operate and program all level settings for advanced over-pumping works. For more details visit our website and view the Ecomizer-Pro brochure to discover it all.

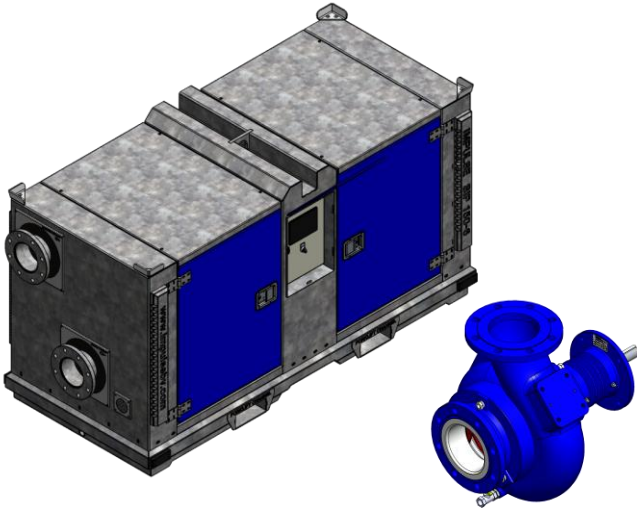


- Robust
- Easy to maintain
- Efficient

*Impossible to live without water*

# SIP 150-6 18.5 kW – Specifications

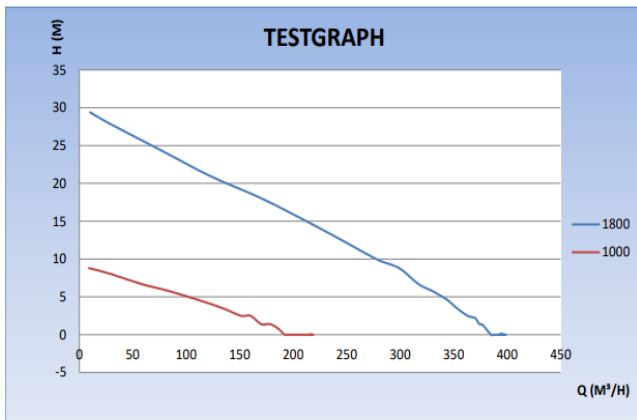
The SIP 150-6 Screw Impeller Pump is commonly used for sewer bypass operations, dewatering, surface drainage, and all kinds of fluid transport. This 6-inch unit is today one of the common pumps you can find many times on many construction sites where mobile pumps are being used



## Pump specifications:

Type.....	SIP 150-6 Electric
Solid passage.....	100 mm. (4-inch)
Max. capacity.....	400 m <sup>3</sup> /h (.. gal/min)
Max. head.....	31 m (.. ft)
Max. vacuum.....	9.8 m (32 ft)
Engine.....	18.5 kW IE3 3-Phase
Canopy.....	Standard Size Canopy
Suction/Discharge.....	6 Inch
Weight.....	1300 kg

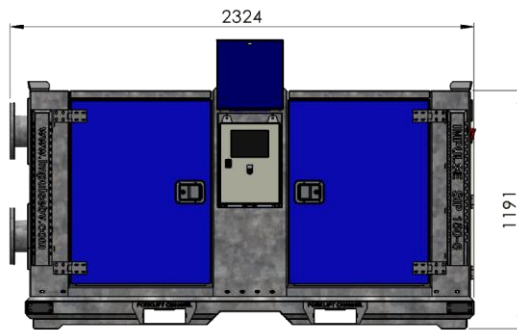
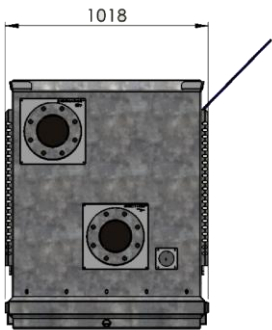
## Pump curve



## Controller



ECOMIZER-PRO is the worlds first digital controller designed for mobile (rental)pumps only. It's extremely easy to operate and to program all level settings for advanced over-pumping works. For more details visit our website and view the Ecomizer-Pro brochure to discover it all.

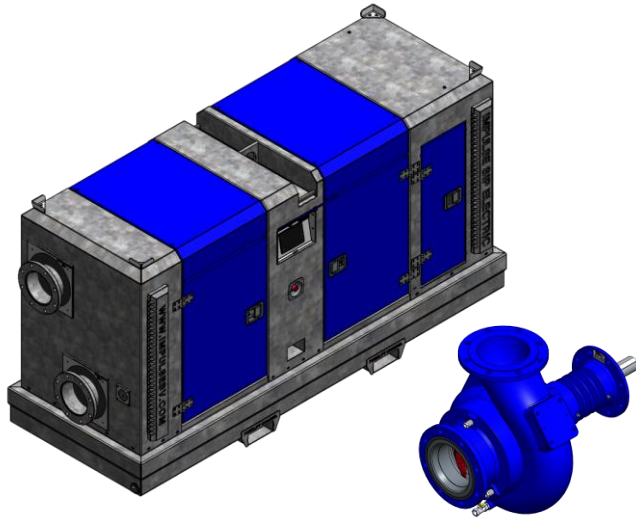


- Robust
- Easy to maintain
- Efficient

*Impossible to live without water*

# SIP 200-8 30 kW – Specifications

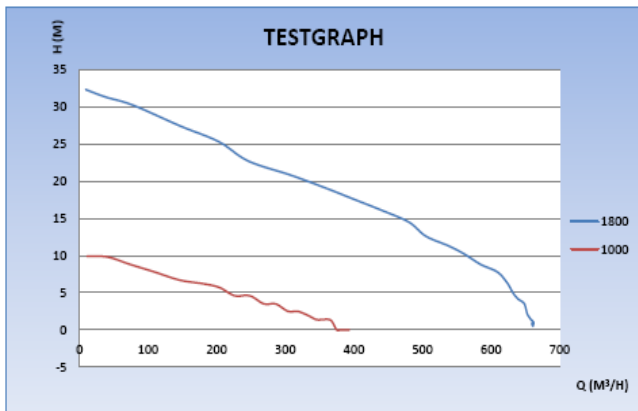
The SIP 200-8 Screw Impeller Pump is the best-to-use 8-inch pump for sewer bypass operations. Especially after the introduction of Ecomizer-Pro as our standard controller in combination with our electromotor became the unit to have for all kinds of “wet-construction” jobs.



## Pump specifications:

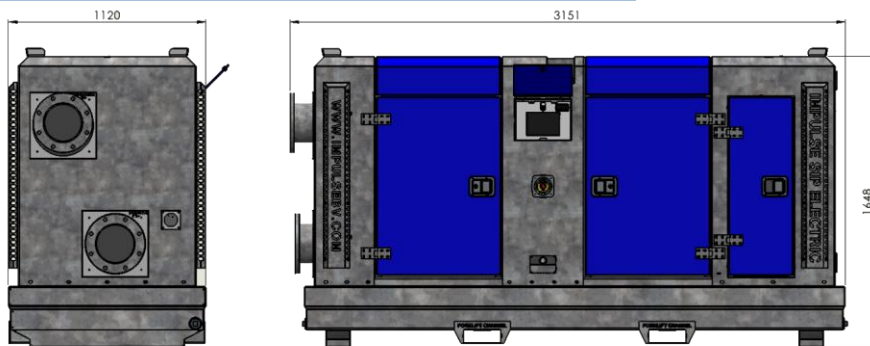
Type.....	SIP 200-8 Electric
Solid passage.....	100 mm. (4-inch)
Max. capacity.....	748 m <sup>3</sup> /h (.. gal/min)
Max. head.....	30 m (.. ft)
Max. vacuum.....	9.8 m (32 ft)
Engine.....	30 kW IE3 3-Phase
Canopy.....	Medium Size Canopy
Suction/Discharge.....	8 Inch
Weight.....	1925 kg

## Pump curve



## Controller

ECOMIZER-PRO is the world’s first digital controller designed for mobile (rental)pumps only. It’s extremely easy to operate and program all level settings for advanced over-pumping works. For more details visit our website and view the Ecomizer-Pro brochure to discover it all.



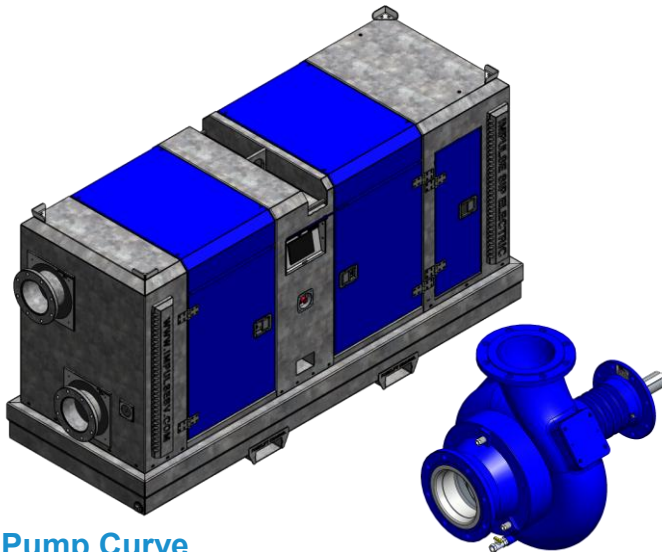
- Robust
- Easy to maintain
- Efficient

*Impossible to live without water*

# SIP 200-8HP 55 kW



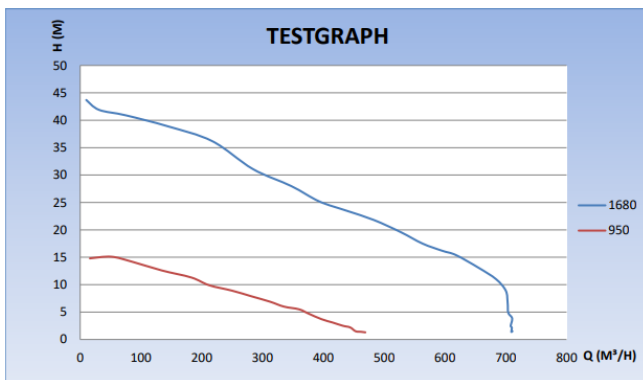
The SIP 200-8 HP (High Pressure) Screw Impeller Pump has been developed to meet the needs and requirements for longer-distance sewer/fluid transport. This Screw Impeller creates more discharge pressure to be able to overcome the friction loss in long discharge tracks. This mobile pump unit is completely self-contained and designed to perform in the most demanding and sometimes remote conditions.



## Pump specifications:

Type.....	SIP 200-8 HP Electric
Solid passage.....	115 mm. (4½-inch)
Max. capacity.....	680 m3/h (.. gal/min)
Max. head.....	42 m (.. ft)
Max. vacuum.....	9.8 m (.. ft)
Engine.....	55 kW IE3 3-Phase
Canopy.....	Medium Size Canopy
Suction/Discharge.....	8 Inch
Weight.....	3180 kg

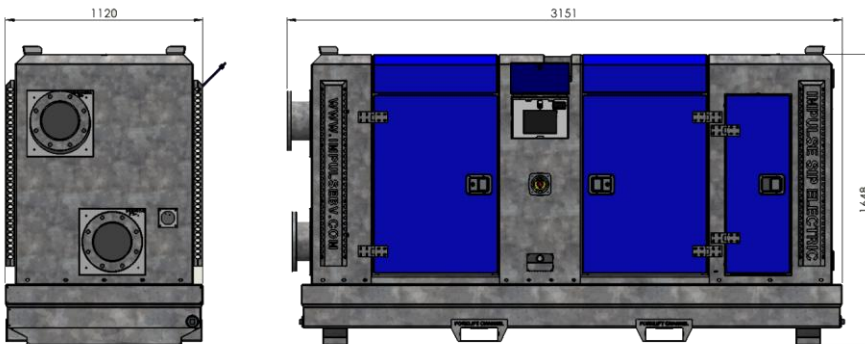
## Pump Curve



## Controller



ECOMIZER-PRO is the world's first digital controller designed for mobile (rental) pumps only. It's extremely easy to operate and to program all level settings for advanced over-pumping works. For more details visit our website and view the Ecomizer-Pro brochure to discover it all.

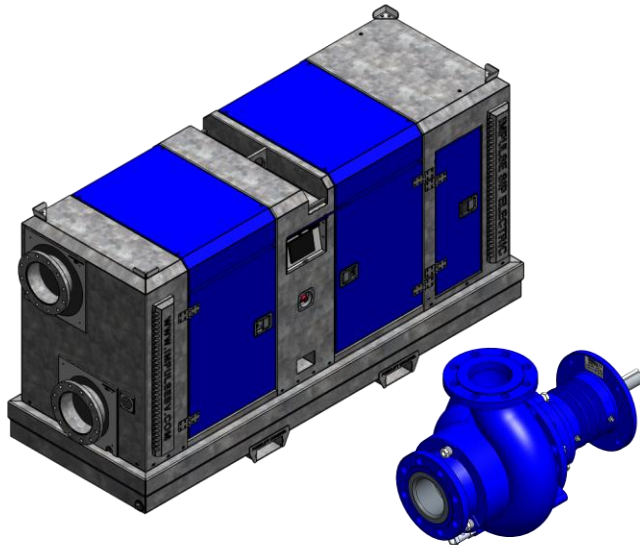


- Robust
- Easy to maintain
- Efficient

*Impossible to live without water*

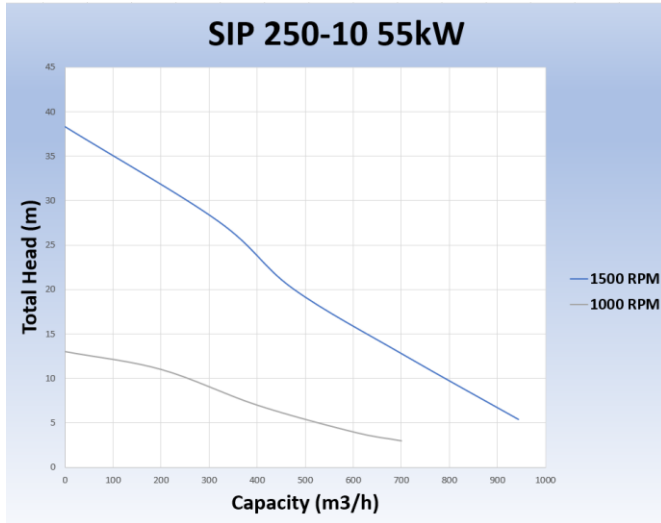
# SIP 250-10 55 kW – Specifications **impulse**

The SIP 250-10 Screw Impeller Pump is the sewer by-pass pump ‘par excellence’! This is because of the often-used 10-inch (HDPE) quick connection pipes. The design of our SIP 250-10 is extremely compact and the total unit is completely self-contained. Designed to perform in, and under the most demanding and sometimes remote conditions.



## Pump specifications:

Type.....	SIP 250-10 Electric
Solid passage.....	120mm, (4¾-inch)
Max. capacity.....	985 m3/h
Max. head.....	48 m
Max. vacuum.....	9.8 m
Engine.....	55 kW IE3 Electromotor
Canopy.....	Large Size Canopy
Suction/Discharge.....	10 Inch
Weight.....	3,350 kg



## Controller



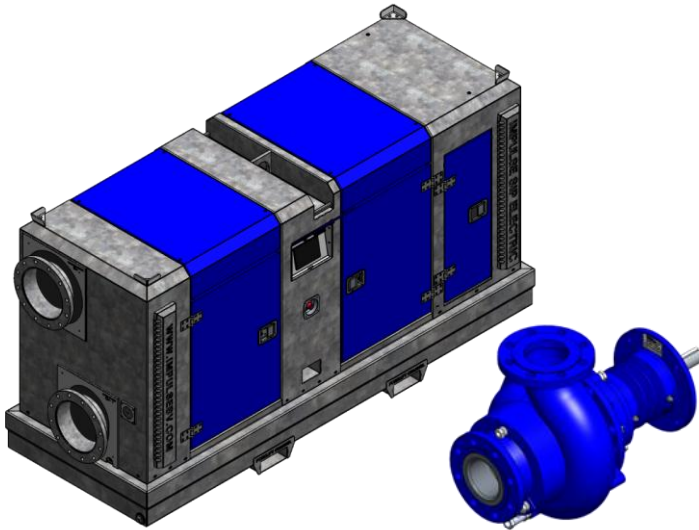
ECOMIZER-PRO is the worlds first digital controller designed for mobile (rental)pumps only. It's extremely easy to operate and to program all level settings for advanced over-pumping works. For more details visit our website and view the Ecomizer-Pro brochure to discover it all.

- Robust
- Easy to maintain
- Efficient

*Impossible to live without water*

# SIP 300-12 E 75 kW – Specifications

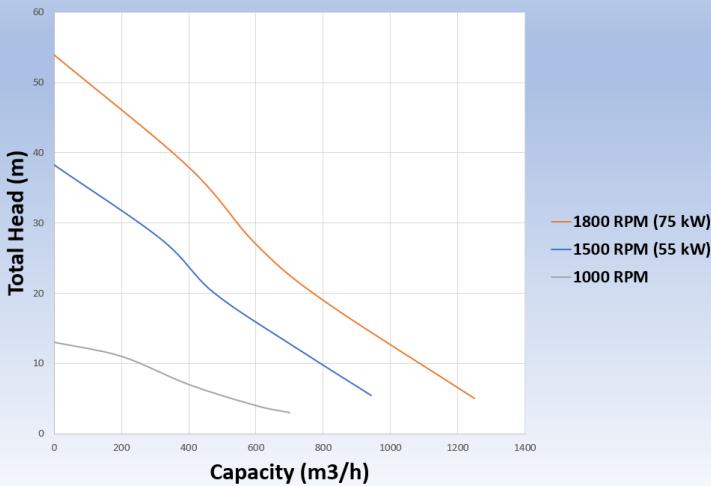
The SIP 300-12 Screw Impeller Pump is another ‘almost the same’ sewer by-pass pump par excellence! The overhaul design of our SIP 300-12 is 100% equal to the design of the SIP 250-10. Technically it’s just the engine and pump flanges that are giving the difference. The higher output of the engine resulted in a higher achievable running speed, creating a higher pump performance.



## Pump specifications:

Type.....	SIP 300-12 Electric
Solid passage.....	120mm, (4¾-inch)
Max. capacity.....	1235 m <sup>3</sup> /h (5437 gal/min)
Max. head.....	50 m (170 ft)
Max. vacuum.....	9.8 m (32 ft)
Engine.....	75 kW IE3 Electromotor
Canopy.....	Large Size Canopy
Suction/Discharge.....	12 Inch
Weight.....	3,375 kg

**SIP 300-12**



## Controller



ECOMIZER-PRO is the worlds first digital controller designed for mobile (rental)pumps only. It’s extremely easy to operate and to program all level settings for advanced over-pumping works. For more details visit our website and view the Ecomizer-Pro brochure to discover it all.

- Robust
- Easy to maintain
- Efficient

*Impossible to live without water*

## APPLICATION

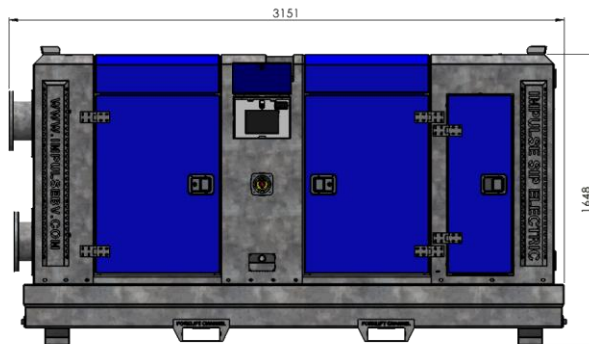
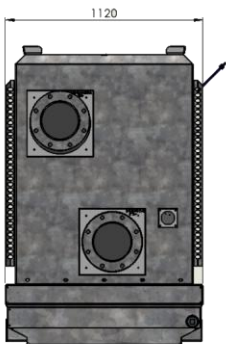


Impulse Pumps proudly presents the SIP 250-10 & SIP 300-12, the flagship models of our esteemed SIP-series range. Meticulously engineered and expertly crafted, this pump represents the pinnacle of our commitment to delivering cutting-edge equipment. Designed to surpass all expectations, the SIP 250-10 and the SIP 300-12 are more than just pumps; *They are a testament to our unwavering dedication to excellence.*

Invest in the SIP 250-10 and/or the SIP300-12, and you'll experience the unrivaled power, reliability, and simplicity that only Impulse Pumps can deliver. Take control of your operations like never before and achieve elevating your productivity to new undiscovered heights.



*"Testament to our unwavering dedication to excellence"*



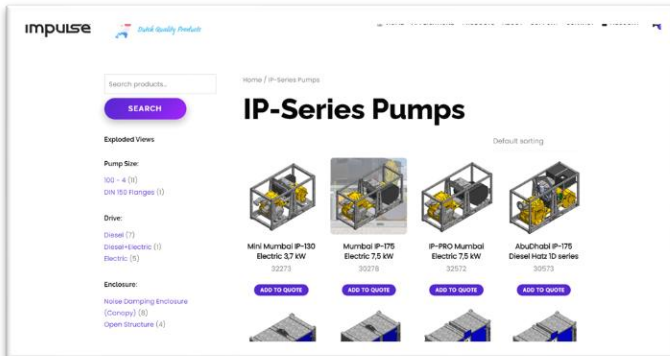
- Robust
- Easy to maintain
- Efficient

*Impossible to live without water*

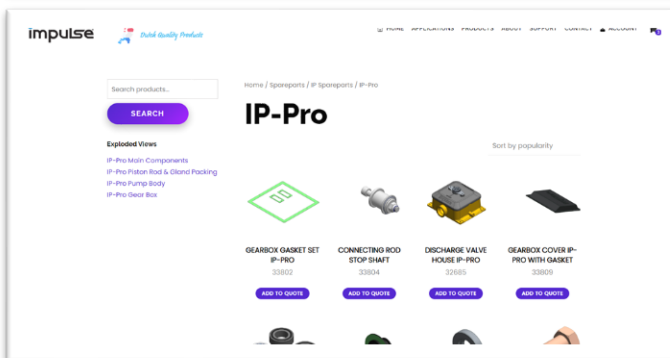
# SIP-SERIES – Website



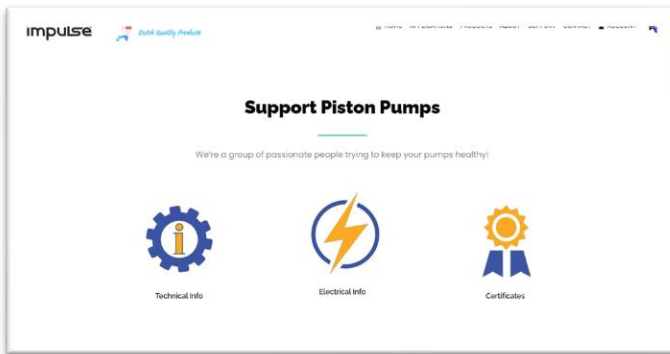
For enquiries, spare parts, and further support please refer to our user-friendly website.



The entire IP-Series range is visible under Products > SIP-Series



All IP-Series spareparts can be found at Products > Spareparts > SIP-Spareparts



Further support such as technical documentation, manuals, electrical diagrams, and certificates can be found under Support > SIP-Series.

You can also contact us via e-mail or phone:

[parts@impulsebv.com](mailto:parts@impulsebv.com)

[www.impulsebv.com](http://www.impulsebv.com)

+31 314 64 12 88

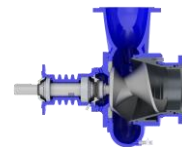


- Robust
- Easy to maintain
- Efficient

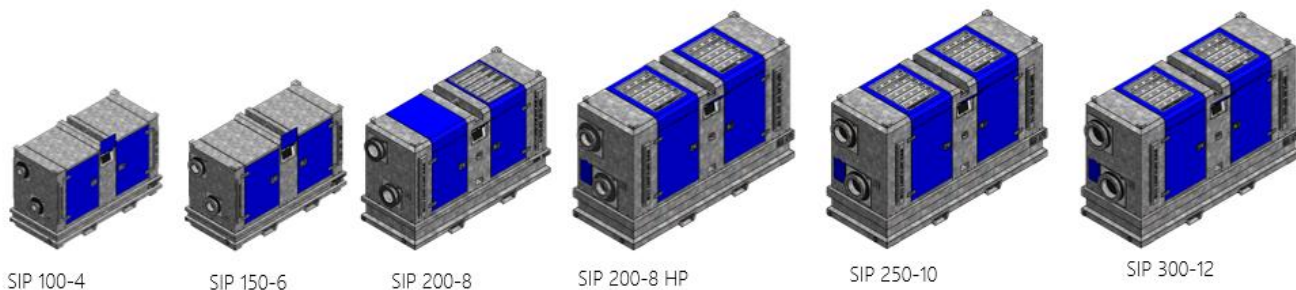
*Impossible to live without water*

# Discover our entire range!

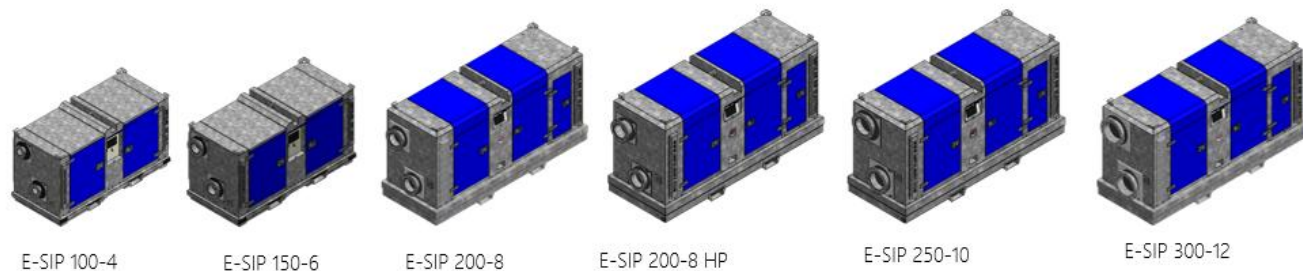
The SIP series are heavy-duty waste water pumps. These pumps can operate in harsh conditions and are not susceptible to clogging. SIP pumps are often used for redirecting sewage lines.



## DIESEL



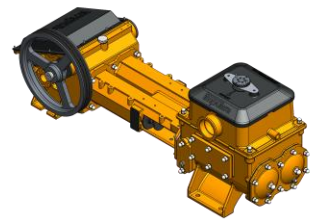
## ELECTRIC



	Max. Capacity (m <sup>3</sup> / h)	Max. Head (m)	Max. Passage Diameter	Dimensions (LxBxH) (m)	Weight (kg)	Engine	Fuel Tank (L) Elektromotor (kW)
SIP 100-4	132	21,8	75 mm	2,3 x 1,0 x 1,5	1330	HATZ 1D90ZE	225 L
SIP 150-6	385	28,1	100 mm	2,3 x 1,0 x 1,5	1700	HATZ 3H50T	225 L
SIP 200-8	574	29,9	100 mm	2,8 x 1,1 x 1,8	2150	HATZ 4H50TIC	450 L
SIP 200-8 HP	680	42,3	115 mm	3,2 x 1,2 x 2,1	3250	JCB 448 STAGE V	500 L
SIP 250-10	985	45,2	120 mm	3,2 x 1,2 x 2,1	3400	JCB 448 STAGE V	3,7 kW
SIP 300-12	1235	51,1	120 mm	3,2 x 1,2 x 2,1	3615	JCB 448 STAGE V	3,7 kW
E-SIP 100-4	145	24,6	75 mm	2,3 x 1,0 x 1,2	1130	IE3 ELECTRIC ENGINE	7,5 kW
E-SIP 150-6	400	31,9	100 mm	2,3 x 1,0 x 1,2	1300	IE3 ELECTRIC ENGINE	18,5 kW
E-SIP 200-8	748	30,4	100 mm	3,1 x 1,1 x 1,7	1925	IE3 ELECTRIC ENGINE	37 kW
E-SIP 200-8 HP	710	47,8	115 mm	3,1 x 1,1 x 1,7	3180	IE3 ELECTRIC ENGINE	55 kW or 75 kW
E-SIP 250-10	985	45,9	120 mm	3,1 x 1,1 x 1,7	3350	IE3 ELECTRIC ENGINE	55 kW or 75 kW
E-SIP 300-12	1235	50,6	120 mm	3,1 x 1,1 x 1,7	3350	IE3 ELECTRIC ENGINE	75 kW

# Discover our entire range!

Our IP-Series Dewatering Pump is a reliable and efficient solution for lowering water tables during excavation and construction projects. Robust and reliable for demanding conditions.



## DIESEL



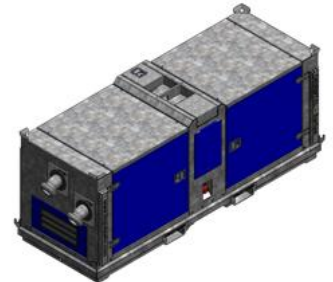
Brussel (IP-130)



AbuDhabi (IP-175)



Yamuna (IP-175)

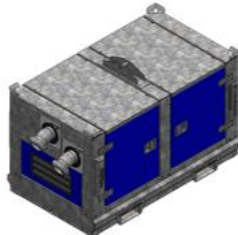


Oriental D+E (IP-175)

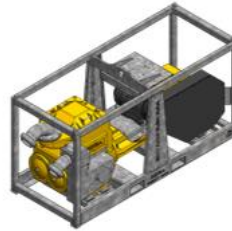
## ELECTRIC



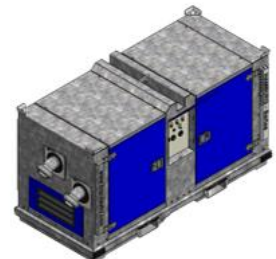
Mini Mumbai (IP-130)



Monaco (IP-130)



Mumbai (IP-175)



Hamburg (IP-175)

	Type	Dimensions (LxBxH) (m)	Weight (kg)	Engine	Fuel Tank (L) / Engine (kW)
Brussel	IP-130	1,7 x 1,0 x 1,3	1135	HATZ 1B30E (3,5kW @ 2300 UPM)	130 L
AbuDhabi	IP-175	2,0 x 0,8 x 1,1	1300	HATZ 1D81S (5,5 kW @ 1500 UPM)	100 L
Yamuna	IP-175	2,3 x 1,0 x 1,5	1950	HATZ 1D90E-Z (5,7 kW @ 1500 UPM)	225 L
Oriental	IP-175	2,8 x 1,0 x 1,2	2005	HATZ 1D90E-Z (5,7 kW @ 1500 UPM)	150 L
Mini Mumbai	IP-130	1,5 x 0,8 x 0,9	670	IMPULSE IE3 ELECTRIC ENGINE 400/690V 50-60Hz 3F	3,7 kW
Monaco	IP-130	1,7 x 1,0 x 1,0	1050	IMPULSE IE3 ELECTRIC ENGINE 400/690V 50-60Hz 3F	3,7 kW
Mumbai	IP-175	0,8 x 2,0 x 1,0	1215	IMPULSE IE3 ELECTRIC ENGINE 400/690V 50-60Hz 3F	7,5 kW
Hamburg	IP-175	2,3 x 1,0 x 1,2	1600	IMPULSE IE3 ELECTRIC ENGINE 400/690V 50-60Hz 3F	7,5 kW

Exclusively supplied by:



***ECOMIZER-PRO pump technologies are designed for a better and greener planet***

All rights strictly reserved. Reproduction or issue to third parties in any form whatsoever is not permitted without written authority from the proprietor. Property of Impulse Holding B.V. Copyright Impulse Pumps B.V.

*Impossible to live without water*

