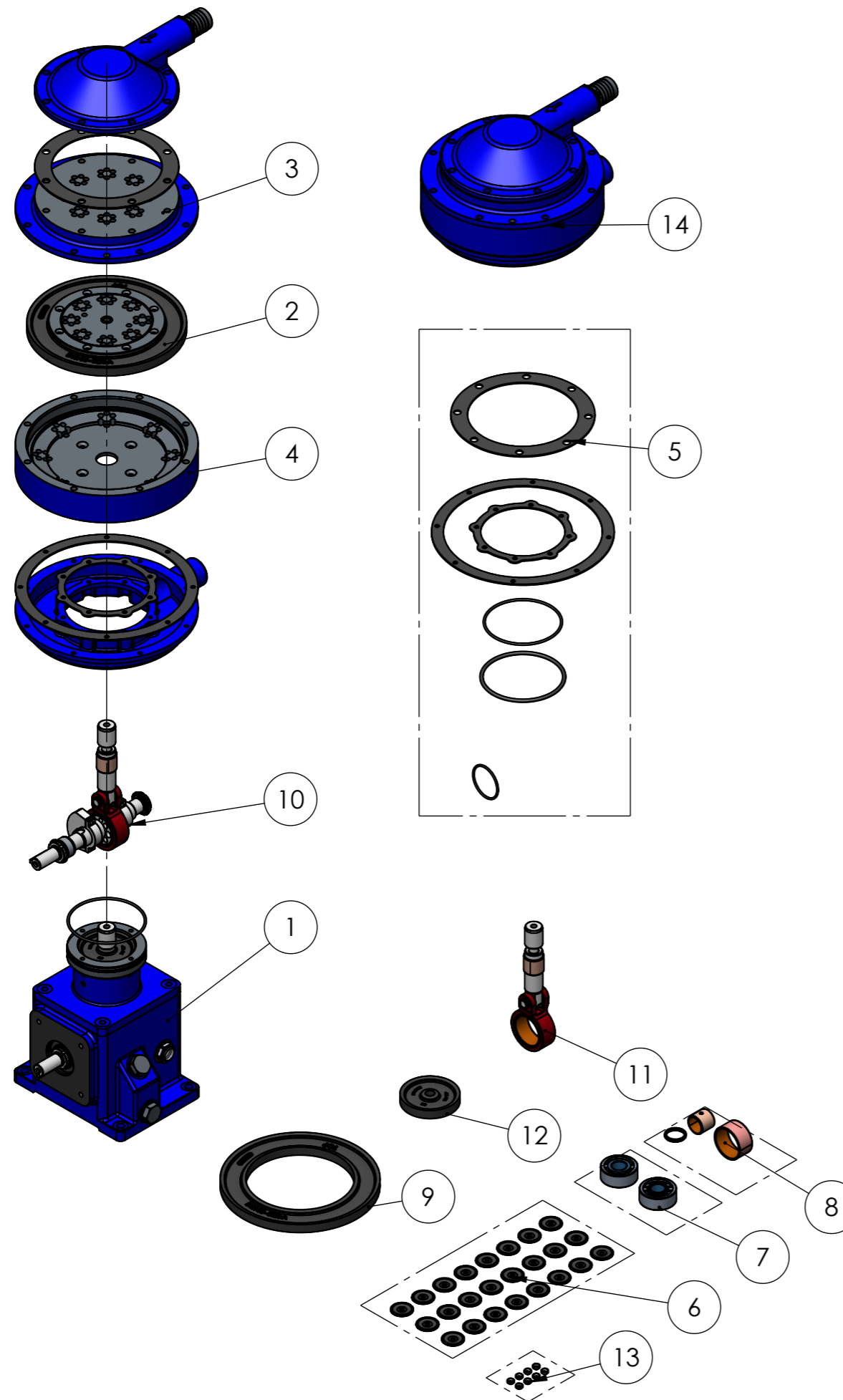


DM-40 SPAREPART LIST



ITEM NO.	PART NUMBER	DESCRIPTION	QTY.
1	34381	DM-40 BEARING HOUSE	1
2	33850	DM-40 PLUNGER	1
3	33852	DM-40 TOP COVER WITH VALVES	1
4	33854	DM-40 DIAPHRAGM HOUSING	1
5	33855	DM-40 GASKET SET	1
6	33856	DM-40 VALVE SET (24x)	1
7	33857	DM-40 BEARING SET	1
8	33858	DM-40 PLUNGER BEARING SET	1
9	30179	Diaphragm DM-40	1
10	34379	DM-40 CRANKSHAFT + CONNECTION ROD	1
11	33848	DM-40 CONNECTION ROD	1
12	30178	Transit Seal DM-40	1
13	34796	DM-40 VALVE HOLDERS SET (8x)	1
14	35044	DM-40 PUMP BODY WITH DIAPHRAGM	1

Revision information				UNSPECIFIED GEOMETRICAL, LINEAR AND ANGULAR TOLERANCE SHALL CONFORM TO ISO 2768-MK (UNLESS OTHERWISE STATED)		format	scale	projection	
Rev	Date	Drn	Appr	Info		A3	1:9		
-	21-01-2025	JG	-			Drawn: JG		web: www.impulsebv.com	
						Date: 16-12-2024		Material:	
						Rev.: -		Weight: 63.89 Kg	
						State: Approved		Treatm.: Assemble	

PDM No. : 35042 Title: VACUUM PUMP DM-40 - EXPLODED VIEW

All rights strictly reserved. Reproduction or issue to third parties in any form whatever is not permitted without written authority from the proprietor. Property of Impulse Holding B.V. Copyright Impulse Pumps B.V.