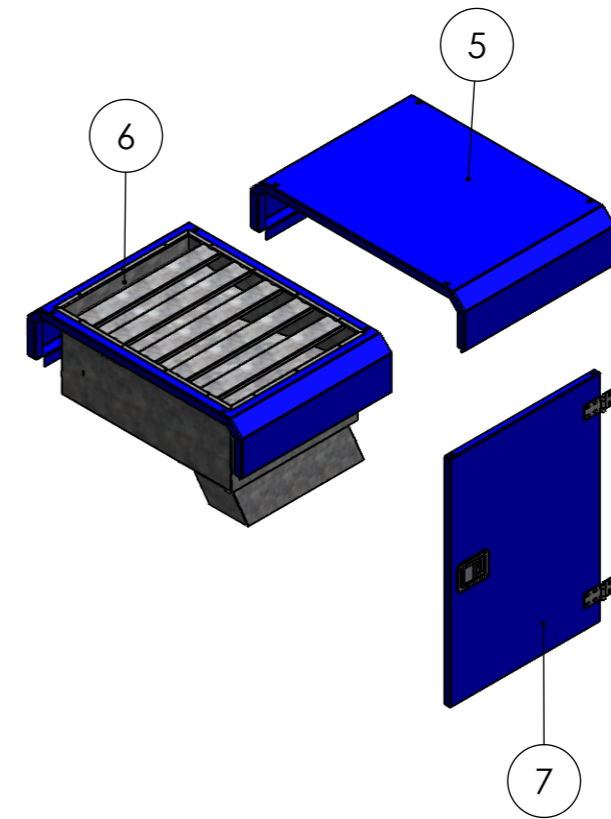
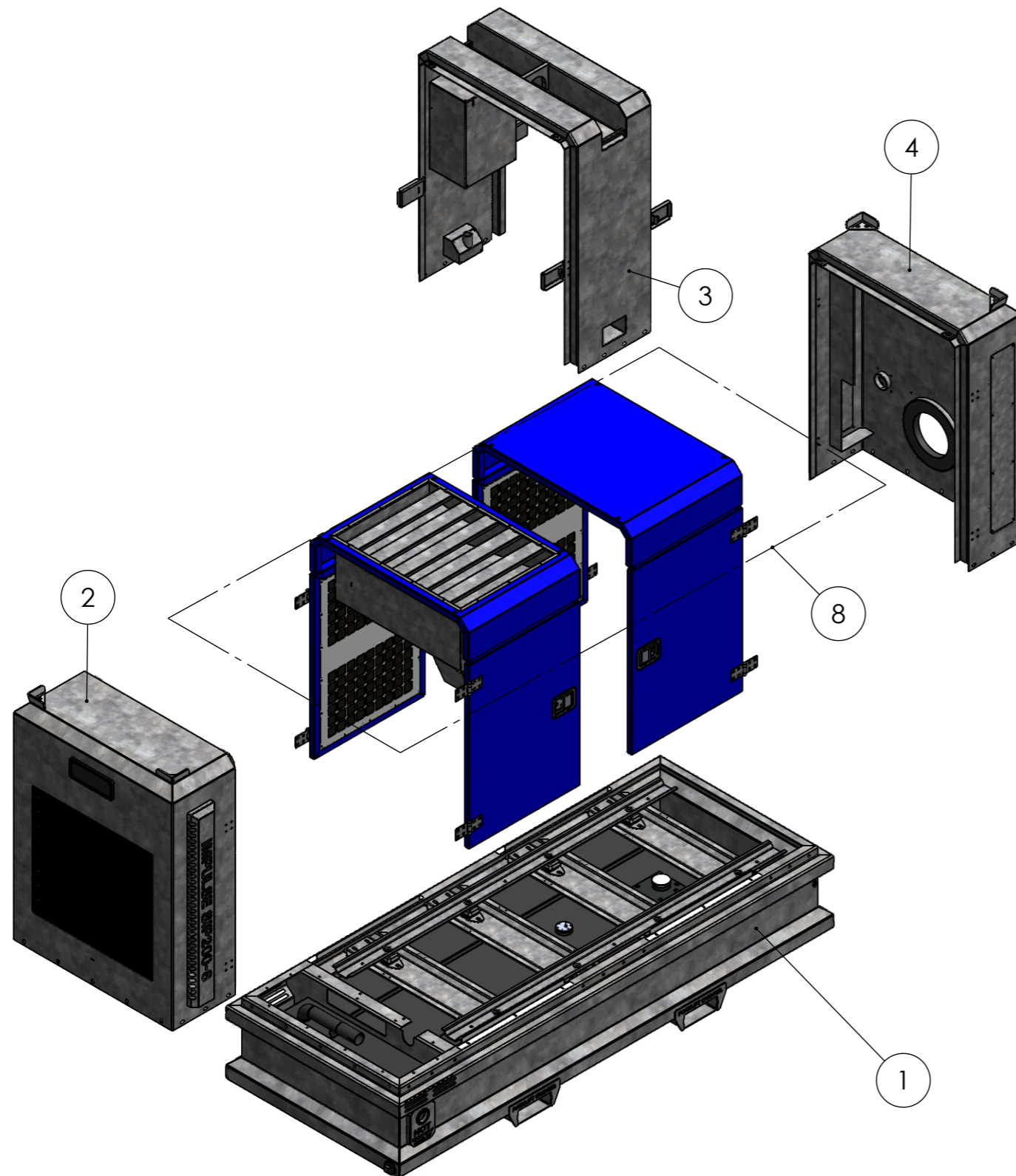


# MEDIUM CANOPY SIP 200-8 HATZ 4M41 SPAREPARTS

REQUEST PARTS ONLINE



ITEM NO.	PART NUMBER	DESCRIPTION	QTY.
1	32865	UNDER BASE SIP-200 COMPLETE	1
2	32922	PANEL C STANDARD SIP-200-8	1
3	30336	MIDDLE PANEL MEDIUM CANOPY SIP-200	1
4	30337	PANEL D STANDARD SIP-200	1
5	30338	WELD ASSY TOP PANEL SIP-200	1
6	30339	TOP PANEL EXHAUST SIP-200	1
7	20380	DOOR WITH LOCKER 1010 mm x 705 mm COMPLETE	4
8	33812	PANEL SET MEDIUM CANOPY SIP 200-8 HATZ 4M41	1

Revision information					UNSPECIFIED GEOMETRICAL, LINEAR AND ANGULAR TOLERANCE SHALL CONFORM TO ISO 2768-MK (UNLESS OTHERWISE STATED)			format	scale	projection	
Rev	Date	Drn	Appr	Info	A3	1:100					
A	27-02-2025	IL	IL	-	Drawn: IL			web: www.impulsebv.com			
-	22-02-2025		JE	-	Date: 17-02-2025			Material:			
					Rev.: A			Weight: 1024.50 Kg			
					State: Approved			Treatm.: Assemble			

PDM No. : 35283 Title: MEDIUM CANOPY SIP 200-8 HATZ 4M41 - EXPLODED VIEW